

# 2 SERIES LED WALLWASH

High-output, low profile, and infinite adjustment -- these small aperture downlights make elegant design statements in discerning residential, retail, and hospitality environments.

PROJECT NAME:	TYPE:
---------------	-------



## ORDERING INFORMATION



Quick Ship Product. All rough in components ship within 10 days up to quantities of 100.



JA8-2022 INDICATED BY SHADING

TRIM	RATING	FLANGE FINISH	CRI / WATTAGE PACKAGE	CCT	OPTIC	INSTALL TYPE	CEILING THICKNESS	POWER SUPPLY	MEDIA	FLANGE CONFIGURATION
					<b>WW</b>				<b>WL</b>	
2RW Round Expanded Wallwash 2SW Square Expanded Wallwash	1 Dry/Damp 2 Wet* *(Lens sealed in place)	WH White AG Satin Silver IG Industrial Gray AU Cashmere Gold AB Arch Bronze BB Burnt Bronze BK Black SS Stainless Steel* CH Chrome* MB Matte Bronze* PB Polished Bronze* PR Primer CF Custom* *(Consult Factory)	<p><b>LOW FLUX STATIC WHITE 3.73" TALL HOUSING</b></p> <p>80S06A 80+ CRI, 6 Watts (Delivered - 2RW 415, 2SW 351) 80S11A 80+ CRI, 11 Watts (Delivered - 2RW 680, 2SW 554) 80S15A 80+ CRI, 15 Watts (Delivered - 2RW 926, 2SW 770) 90S06A 90+ CRI, 6 Watts (Delivered - 2RW 358, 2SW 303) 90S11A 90+ CRI, 11 Watts (Delivered - 2RW 586, 2SW 478) 90S15A 90+ CRI, 15 Watts (Delivered - 2RW 798, 2SW 664) 97S06A 97+ CRI, 6 Watts (Delivered - 2RW 315, 2SW 267) 97S11A 97+ CRI, 11 Watts (Delivered - 2RW 516, 2SW 421) 97S15A 97+ CRI, 15 Watts (Delivered - 2RW 702, 2SW 584)</p> <p><b>HIGH FLUX STATIC WHITE 6.5" TALL HOUSING</b></p> <p>80S21A 80+ CRI, 21 Watts (Delivered - 2RW 1245, 2SW 1029) 90S21A 90+ CRI, 21 Watts (Delivered - 2RW 1073, 2SW 887) 97S21A 97+ CRI, 21 Watts (Delivered - 2RW 944, 2SW 781)</p> <p><b>WARM DIM 6.5" TALL HOUSING</b></p> <p>90W11A 90+ CRI, 11 Watts Incandescent Profile: 2700K - 1800K (Delivered - 2RW 408, 2SW 355) Standard Profile: 3000K - 1800K (Delivered - 2RW 412, 2SW 354) 90W15A 90+ CRI, 15 Watts Incandescent Profile: 2700K - 1800K (Delivered - 2RW 571, 2SW 496) Standard Profile: 3000K - 1800K (Delivered - 2RW 578, 2SW 497) *SEE PAGE 4 FOR DETAILED WARM DIM PROFILE COMPARISON.</p> <p><b>TUNABLE WHITE 6.5" TALL HOUSING</b></p> <p>90T17A 90+ CRI, 17 Watts Warm Profile (Delivered - 2RW 700, 2SW 610) Cool Profile (Delivered - 2RW 694, 2SW 605) *ALL DELIVERED LUMEN OUTPUTS REFLECT 3000K.</p>	24 2400K* *(190+CRI only, 15W max) 27 2700K 30 3000K 35 3500K 40 4000K	WW Wallwash Optic	<p>Housing W/Integral Driver (HB) NC NIC IC IC AT IC, Airtight* *(CCEA, Airtight and Title 24 compliant housing)</p> <p>Housing W/Remote Driver (HR) NR NIC, Remote IR IC, Remote AR IC, Airtight, Remote* *(CCEA, Airtight and Title 24 compliant housing)</p> <p>Remodel RM Remodel RR Remote-Remodel</p>	0 0.125" - 0.49"* *(RM, RR Install Types only) 1 0.50" - 0.75" 2 0.76" - 1.25"	<p><b>(120V)</b></p> <p>TR2 Philips, 2% Forward/Reverse L23 Lutron, Hi-Lume 1% 2-Wire <b>(120-277V)</b> LH1 Lutron, Hi-Lume 1% Ecosystem* *(Not available for 6WI) LP1 Lutron, Premier 0.1% Ecosystem AN4 Philips Xitanium 1% 0-10V, LOG LN2 Philips Xitanium 1% 0-10V, LIN EA2 eldoLED, 0.1% 0-10V, LOG LA2 eldoLED, 0.1% 0-10V, LIN ED1 eldoLED, SOLDrive 0.1% DALI-2, LOG LD1 eldoLED, 0.1% DALI-2, LIN AS1/ Athena Control eldoLED, ASR 0.1% 120-277V* CS1/ Casambi Control eldoLED, CSR 0.1% 120-277V* *(Includes Node. Extended lead time, consult factory. ASR/CSR includes shunt. Casambi is remote only)</p> <p><b>TUNABLE WHITE REMOTE (0.1%, 120-277V)</b></p> <p>DD1 eldoLED, DUALdrive DALI-2, LOG DG1 eldoLED, DUALdrive 0-10V, LOG DN1 eldoLED, DUALdrive 0-10V, LIN AD1/ Athena Control, eldoLED, ADR eldoLED, DUALdrive* CD1/ Casambi Control, eldoLED, DUALdrive* *(Includes Node. Extended lead time, consult factory. ASR/CSR includes shunt. Casambi is remote only)</p>	WL Wallwash Lens	F Flange Overlay (No Applique) G Zero Sightline Gypsum (1/16" Applique)* *(Not available for wet location) P Zero Sightline Plaster (1/8" Applique)* *(Not available for wet location)
		FINISH IMAGES ON PAGE 2		WL 2700K - 1800K WD 3000K - 1800K WL 2700K - 1800K WD 3000K - 1800K TR 4000K - 1800K TH 5000K - 2700K						

## PART NUMBER NOTES

- Trims ships as e.g. 2RW1-WH-80S15A2-WHB1-L23WL
- Housing ships as e.g. NCL-2RF-1-LED-01
- Drivers ship with trim
- Appliqué ships with housing



**Declare.**

**LUCIFER**<sup>®</sup>  
LIGHTING COMPANY

luciferlighting.com

©2024 Lucifer<sup>®</sup> Lighting Company

As part of its policy of continuous research and product development, the company reserves the right to change or withdraw specifications without prior notice.

[PH] +1-210-227-7329 pg. 1  
[FAX] +1-210-227-4967

[DATE OF REV: 05132024]

# 2 SERIES LED WALLWASH

## ACCESSORIES

**ROUTER TOOL GUIDE** (Dry / Damp locations only)  
Recommended for Zero-Sightline installations in wood ceilings.

- DLA-RTG-2S-RD** Tool, router guide, round; reusable
- DLA-RTG-2S-SQ** Tool, router guide, square; reusable

## REPLACEMENT OPTIC

Interchangeable optics accessible through fixture aperture.

- RO-50-WW-S** Wall Grazer Optic, Static White
- RO-50-WW-W** Wall Grazer Optic, Warm Dim

## HANGER BAR EXTENDER KIT

Extends hanger bars from 24.0" to 46.0" maximum.

- 2S-HBE-46** Extender, Hanger Bar

## FURRING CHANNEL ACCESSORY KIT

Recommended for installations in furring channel. Available for ceiling thicknesses from 0.125" - 1.25".

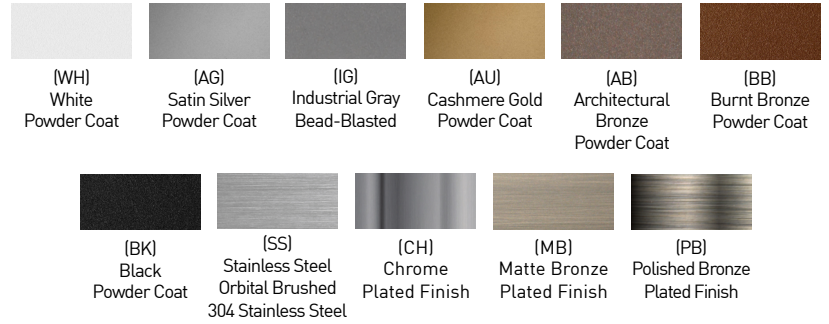
- DHA-FC-KIT**

## EMERGENCY LIGHTING - REMOTE MOUNT ONLY

During disruption of main power, emergency battery inverter provides temporary 120V or 277V to fixture.

- EMB-S-25-120/277-LEDX** 25 watt max capacity, 120 or 277 VAC 60Hz, Non-Dimmable
- EMB-S-100-120-LEDX** 100 watt max capacity, 120 VAC 60Hz, 0-10V Dimmable
- EMB-S-100-277-LEDX** 100 watt max capacity, 277 VAC 60Hz, 0-10V Dimmable
- EMB-S-250-120/277-LEDX** 250 watt max capacity, 120 or 277 VAC 60Hz, 0-10V Dimmable

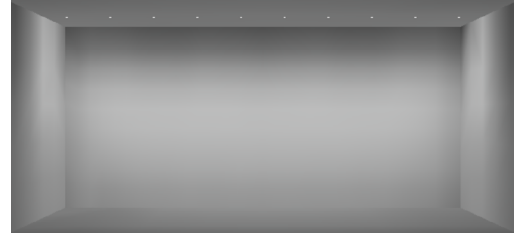
## FINISHES BY LUCIFER LIGHTING™



# 2 SERIES LED WALLWASH

## WALLWASH DESIGN GUIDE

### ROUND



#### RECOMMENDED

##### 30" SETBACK / 30" ON CENTER SPACING

- AVERAGE FC: 15.46
- MIN / MAX: 2.94
- 10FT CEILING SHOWN / 8-12FT IDEAL
- 10 FIXTURES / 25FT WALL SHOWN

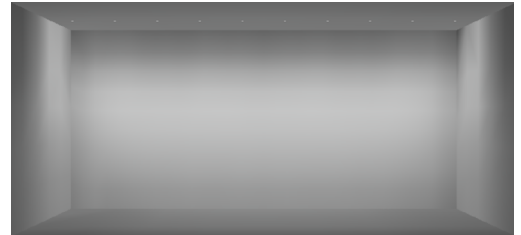
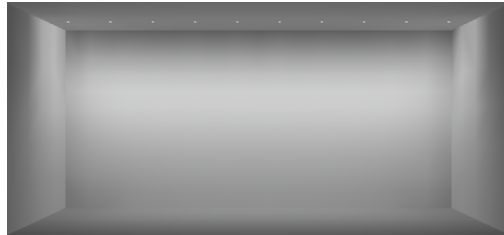
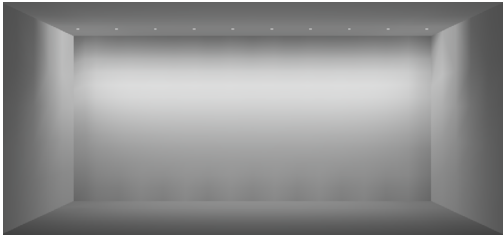
##### 36" SETBACK / 36" ON CENTER SPACING

- AVERAGE FC: 11.73
- MIN / MAX: 3.11
- 10FT CEILING SHOWN / 8-12FT IDEAL
- 10 FIXTURES / 30FT WALL SHOWN

##### 42" SETBACK / 42" SPACING ON CENTER

- AVERAGE FC: 9.22
- MIN / MAX: 3.77
- 10FT CEILING SHOWN / 8-12FT IDEAL
- 10 FIXTURES / 35FT WALL SHOWN

### SQUARE



#### RECOMMENDED

##### 30" SETBACK / 30" ON CENTER SPACING

- AVERAGE FC: 16.00
- MIN / MAX: 4.62
- 10FT CEILING SHOWN / 8-12FT IDEAL
- 10 FIXTURES / 25FT WALL SHOWN

##### 36" SETBACK / 36" ON CENTER SPACING

- AVERAGE FC: 12.47
- MIN / MAX: 2.98
- 10FT CEILING SHOWN / 8-12FT IDEAL
- 10 FIXTURES / 30FT WALL SHOWN

##### 42" SETBACK / 42" SPACING ON CENTER

- AVERAGE FC: 9.99
- MIN / MAX: 2.96
- 10FT CEILING SHOWN / 8-12FT IDEAL
- 10 FIXTURES / 35FT WALL SHOWN

### ADDITIONAL SPACINGS AND SETBACKS

ROUND			
ON CENTER SPACING	SETBACK		
	30"	36"	42"
30"	SHOWN ABOVE	AVERAGE FC: 14.02 MIN / MAX: 3.34	AVERAGE FC: 12.56 MIN / MAX: 3.85
36"	AVERAGE FC: 12.90 MIN / MAX: 2.63	SHOWN ABOVE	AVERAGE FC: 10.58 MIN / MAX: 3.47
42"	AVERAGE FC: 11.16 MIN / MAX: 2.88	AVERAGE FC: 10.18 MIN / MAX: 3.27	SHOWN ABOVE

SQUARE			
ON CENTER SPACING	SETBACK		
	30"	36"	42"
30"	SHOWN ABOVE	AVERAGE FC: 14.82 MIN / MAX: 3.38	AVERAGE FC: 16.38 MIN / MAX: 3.14
36"	AVERAGE FC: 13.40 MIN / MAX: 4.09	SHOWN ABOVE	AVERAGE FC: 11.52 MIN / MAX: 2.86
42"	AVERAGE FC: 11.51 MIN / MAX: 4.36	AVERAGE FC: 10.73 MIN / MAX: 3.16	SHOWN ABOVE

**\*ALL DATA REFLECTS 90S15A WATTAGE PACKAGE**

# 2 SERIES LED WALLWASH

## STATIC WHITE PERFORMANCE - 3000K

CRI / WATTAGE PACKAGE	WATTAGE	WALLWASH			
		2RW		2SW	
		DELIVERED	LPW	DELIVERED	LPW
80S06A	6	415	69	351	59
80S11A	11	680	56	554	49
80S15A	15	926	62	770	51
80S21A	21	1245	59	1029	49
90S06A	6	358	62	303	53
90S11A	11	586	53	478	43
90S15A	15	798	53	664	44
90S21A	21	1073	51	887	42
97S06A	6	315	53	267	44
97S11A	11	516	47	421	38
97S15A	15	702	47	584	39
97S21A	21	944	45	781	37
90W11A (WL 27K-18K)	11	408	42	355	37
90W11A (WD 30K-18K)	11	412	43	354	37
90W15A (WL 27K-18K)	15	571	38	496	33
90W15A (WD 30K-18K)	15	578	38	497	33
90W17A (TR 40K-18K)	17	700	42	610	36
90W17A (TH 50K-27K)	17	694	41	605	36



JA8-2022 INDICATED BY SHADING

## JA8-2022 TITLE 24 COMPLIANT CONFIGURATIONS

	WW Optic											
	90S			97S			90W				90T	
	11A	15A	21A	11A	15A	21A	11AL	11AD	15AL	15AD	17AR	17AH
2RW	✓	✓	✓	✓	✓	✓						
2SW												

### OUTPUT MULTIPLIER

CCT	CCT SCALE
2400K	0.76
2700K	0.97
3000K	1.000
3500K	1.03
4000K	1.08

### TUNABLE WHITE MULTIPLIER

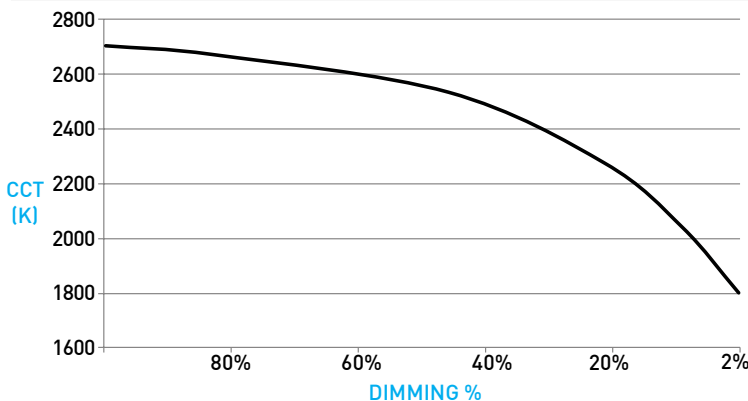
CCT	5000K-2700K	4000K-1800K
5000K	1.16	-
4000K	1.08	1.14
3500K	1.04	1.07
3000K	1.00	1.00
2700K	0.96	0.92
2400K	-	0.84
1800K	-	0.69

## WARM DIM PERFORMANCE

### INCANDESCENT PROFILE

90W11AL 2700K - 1800K	Full on 100%	Dimmed to 80%	Dimmed to 70%	Dimmed to 50%	Dimmed to 20%	Dimmed to 10%	Dimmed to 2%
CCT (K)	2700	2650	2625	2550	2200	1900	1800
Light Output (Lm)	408	326	286	204	82	41	8
Power (W)	11	9	8	6	2.2	1.1	.2
Efficacy (LPW)	37	37	37	37	37	37	37

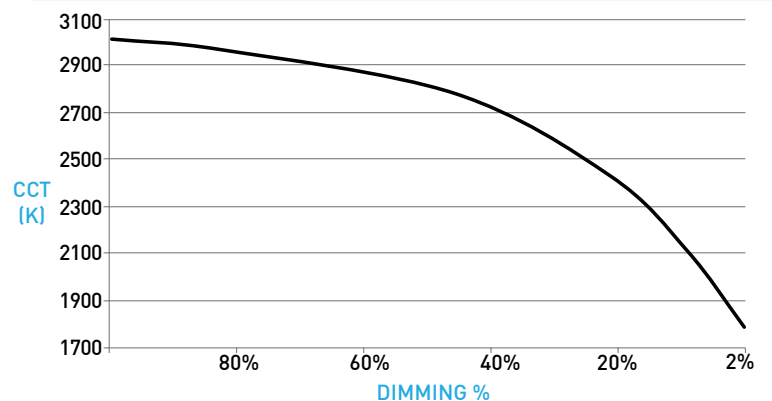
90W15AL 2700K - 1800K	Full on 100%	Dimmed to 80%	Dimmed to 70%	Dimmed to 50%	Dimmed to 20%	Dimmed to 10%	Dimmed to 2%
CCT (K)	2700	2650	2625	2550	2200	1900	1800
Light Output (Lm)	571	457	400	286	114	57	11.4
Power (W)	14	11	10	7	3	1.5	0.3
Efficacy (LPW)	38	38	38	38	38	38	38



### STANDARD PROFILE

90W11AD 3000K - 1800K	Full on 100%	Dimmed to 80%	Dimmed to 70%	Dimmed to 50%	Dimmed to 20%	Dimmed to 10%	Dimmed to 2%
CCT (K)	3000	2950	2920	2775	2375	2000	1800
Light Output (Lm)	412	330	288	206	82	41	8
Power (W)	11	9	8	6	2.2	1.1	.2
Efficacy (LPW)	37	37	37	37	37	37	37

90W15AD 3000K - 1800K	Full on 100%	Dimmed to 80%	Dimmed to 70%	Dimmed to 50%	Dimmed to 20%	Dimmed to 10%	Dimmed to 2%
CCT (K)	3000	2950	2920	2775	2375	2000	1800
Light Output (Lm)	578	462	405	289	116	58	12
Power (W)	14	11	10	7	3	1.5	0.3
Efficacy (LPW)	38	38	38	38	38	38	38



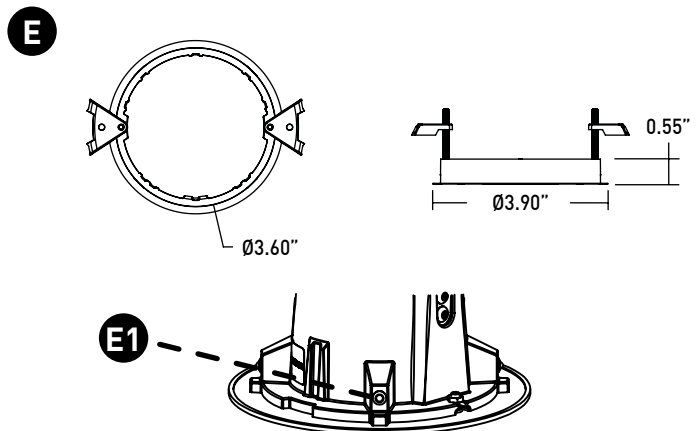
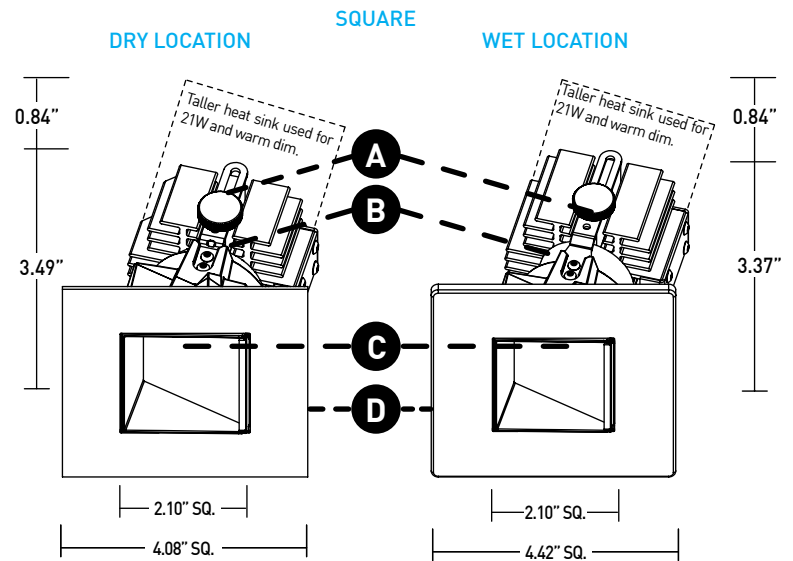
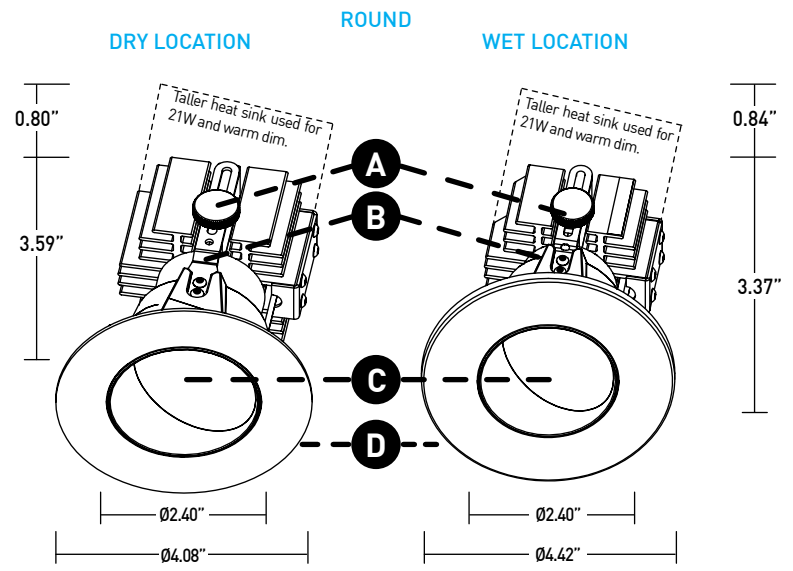
# 2 SERIES LED WALLWASH

## DOWNLIGHT

Die-cast baffle and precision kick reflector provide dynamic wallwashing and minimal aperture glare.

- A** **ADJUSTABLE YOKE**  
Adjustable yoke allows for quick access to optic and media.
- B** **OPTICS**  
Robust light engine with optimized optic pairing integrates Reflection, Refraction, and TIR offering a 40° wallwashing beam.
- C** **MEDIA**  
Wallwash lens included and sealed in place on wet location fixtures
- D** **TRIM PLATE**
  - Dry / Damp Location: Thickness measures 0.065" (1.7mm)
  - Wet Location: Sealed aperture and integral silicone gasket. 0.17" (4.3mm) return, installed as flange overlay only.
- E** **DOWNLIGHT TRIM ADAPTER**  
Included with fixture and required for installation. Provides required alignment with trim, ensuring fixture aim integrity is maintained Uses (2) #6-32 flat-head screws with varying lengths to accommodate ceiling depth. Installed after ceiling is complete.
- E1** **RETENTION**  
Engineered integral ball plungers correspond to trim adapter ensuring snug fit against finished ceiling.

## DIMENSIONS / DRAWINGS



# 2 SERIES LED WALLWASH

## HOUSING

- F LOW FLUX NO INSULATION CONTACT (NON-IC) HOUSING**
- Included with NC and NR Low Flux wattage packages.
  - Minimum 0.50" (13mm) setback from combustible and non-combustible materials on all sides and top of housing.
  - Minimum 3.00" (76mm) setback from insulation material having max R-Value 30 on all sides and top of housing.
  - Minimum 6.00" (152mm) setback from polycell spray foam insulation having max R-Value 60.
- LOW FLUX INSULATION CONTACT (IC) HOUSING**
- Included with IC, IR, AT, and AR LOW Flux wattage packages.
  - No setback from polycell spray foam insulation having max R-Value of 60 on all sides and top of housing.
- G HIGH FLUX / WARM DIM HOUSING**
- Satisfies IC, Airtight and NON-IC configurations.
  - Included with all HIGH Flux and Warm Dim wattage packages.
  - No setback from polycell spray foam insulation having max R-Value of 60 on all sides and top of housing.

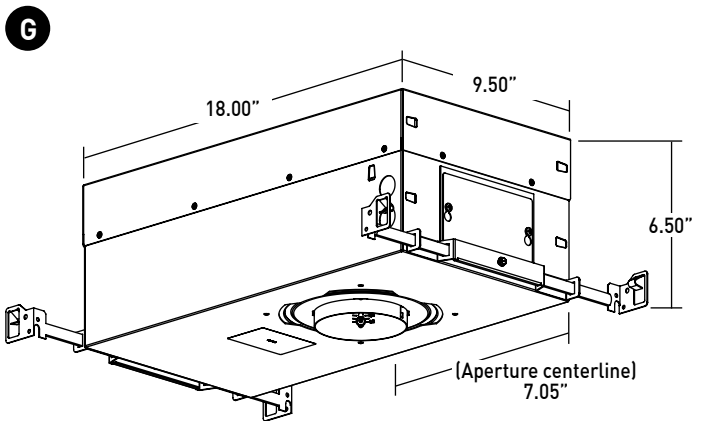
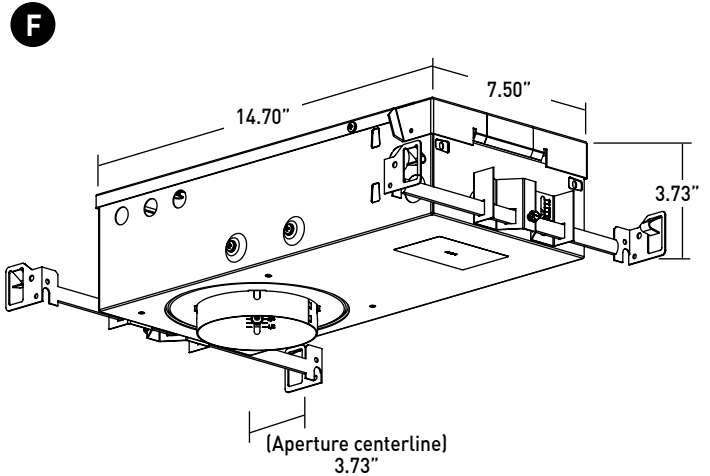
## HOUSING MOUNTING NOTES

- AT and AR install types are required for CCEA, Airtight and Title 24 (JA8) applications.
- Do not install in environments where ambient temperatures exceed 40°C (104°F).
- Power supply compartment and all splice connections may be serviced from room side.
- Consult factory for spacing requirements for any installations exceeding R-Value 60.
- Hanger bars fitted to short and long side of Low Flux Housing, and short side only of High Flux / Warm Dim Housing; extend from 14.0" to 24.0", but may be field cut to accommodate narrow stud spacing. Can be extended up to 46" maximum with 2S-HBE-46 kit.
- Hanger bars and brackets add 4.00" to the overall dimension, but are exclusive of the setback requirements.
- Driver assembly ships with trim, not housing. Housing and trim feature push nuts and lever nuts for ease of installation.

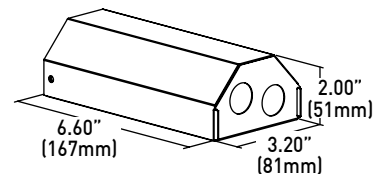
## REMOTE POWER SUPPLY

- H** Provided with install types "IR", "NR" and "AR". See page 7 for maximum allowable wiring distances. Must be installed in an accessible location.
- I ATHENA / CASAMBI CONTROL**  
Controls integrated into housing or remote driver assembly. All equipment is serviceable.
- Athena Model Numbers: A-WN-D01-RF-BL & DFC-OEM-DBI
- Casambi Model Number: BT-S1E1-5400
- J ATHENA / CASAMBI EM SHUNT**  
Included with drivers specified as ASR, ADR, CSR, or CDR. One required for each wireless EM fixture, requires class 2 control wiring between fixture and shunt. Features integrated test switch.
- Model Number: PS-RMT-SHUNT

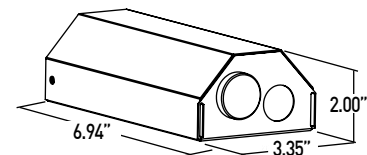
## DIMENSIONS / DRAWINGS



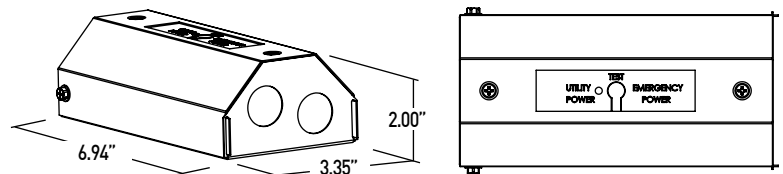
**H** STANDARD ENCLOSURE



**I** ATHENA / CASAMBI ENCLOSURE



**J** ATHENA / CASAMBI EM SHUNT



# 2 SERIES LED WALLWASH

## REMODEL POWER SUPPLY

- K REMODEL POWER SUPPLY**
- Included with RM Install Type.
  - UL2043 listed for air-handling plenum.
  - Fixture mounts without conventional housing using supplied downlight trim adapter.
  - Minimum 0.75" clearance from top of fixture.
  - Minimum setback from combustible and non-combustible materials of 6.63" radius from fixture centerline.
  - Minimum 3.00" setback from surfaces of power supply / junction box if not situated within above noted radius from fixture centerline.
  - Minimum additional 3.00" setback from insulation material with max R-Value 30 from any surface of downlight fixture assembly.
  - Minimum additional 6.00" setback from polycell spray foam insulation with max R-Value 60 from any surface of downlight fixture assembly.

## REMODEL NOTES

- Do not install in environments where ambient temperatures exceed 40°C (104°F).
- Power supply compartment and all splice connections may be serviced from room side.
- Consult factory for spacing requirements for any installations exceeding R-Value 60.

## L REMOTE APPLICATIONS

- Remote power supply included with RR Install Type.
- Must be installed in an accessible dry/damp location.
- Do not install in environments where ambient temperatures exceed 40°C (104°F)
- Requires plenum rated Class 2 cable between fixture and remote driver. Cable supplied by others.
- See page 7 for maximum allowable wiring distances.

## ZERO-SIGHTLINE INSTALLATIONS

Fixture regresses flush with the finished ceiling plane when installed according to manufacturer instructions and finished ceiling conditions are met. Consult 2-Series Installation Guidelines for appropriate ceiling cutouts and instructions for proper Zero-Sightline installations.

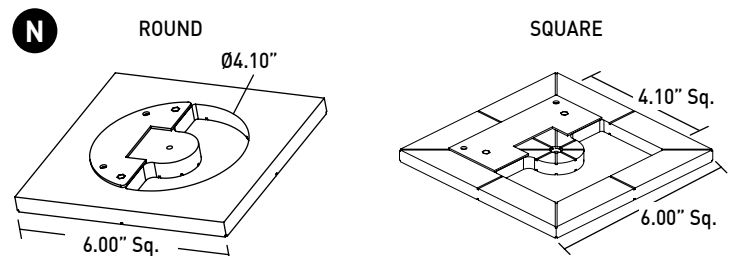
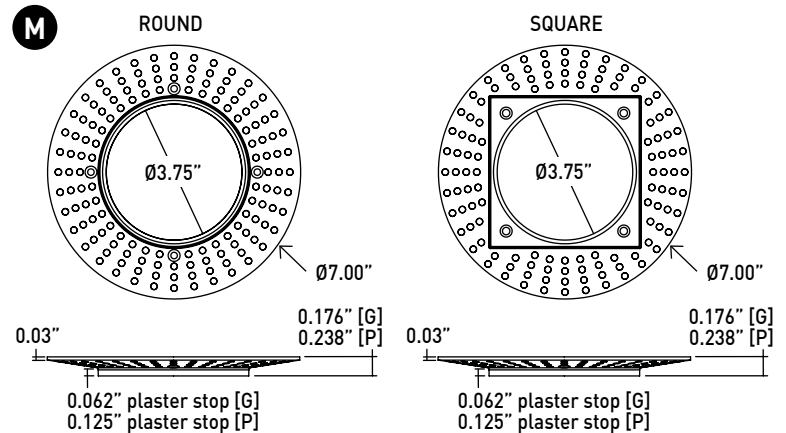
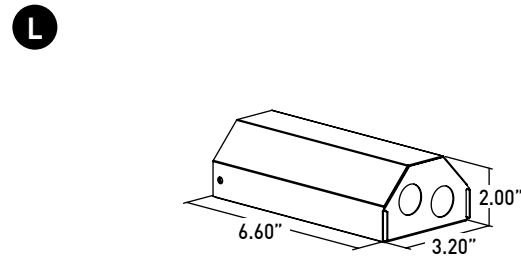
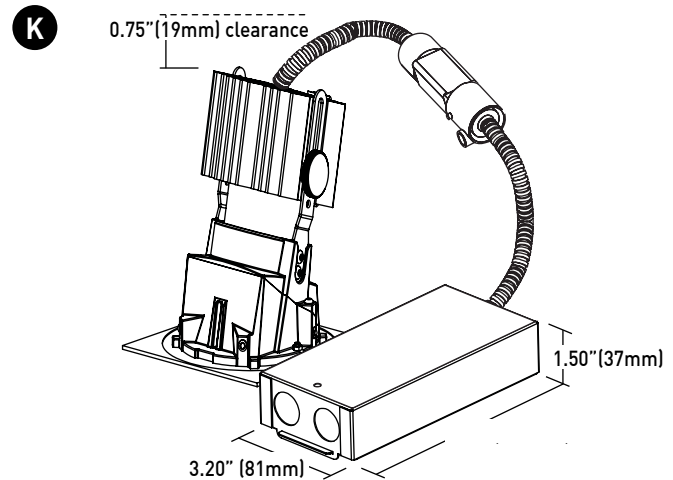
## M APPLIQUÉ

- Specified on Flange Configuration and ships with housing; ships separately on remodel installations.
- For use in sheetrock ceiling applications.
  - 1/16" Appliqué (G Flange Configuration) recommended for gypsum ceiling installations and has plaster stop thickness of 1/16". Recommended for painted ceiling applications.
  - 1/8" Appliqué (P Flange Configuration) offers double thick plaster stop of 1/8" where a heavier application of mud is preferred. Recommended for colorfast and venetian plaster applications.
- Not recommended for stucco applications.

## N ROUTER TOOL GUIDE

- Specified separately and used with Flange Overlay configurations.
- For use in wood ceiling applications.
- **DLA-RTG-2S-RD** or **DLA-RTG-2S-SQ** required for wood Zero-Sightline ceiling installations.
- Router tool guide is reusable and suitable for multiple fixtures.

## DIMENSIONS / DRAWINGS



# 2 SERIES LED WALLWASH

## TECHNICAL INFORMATION

### CONSTRUCTION

**Downlight:** Steel and aluminum; extruded aluminum heat-sink; painted finishes are granulated powder coat. 304 corrosion resistant stainless steel faceplate for wet location fixtures.

**Trim Adapter:** High-impact composite and stainless steel.

**Housing:** 22 Gauge galvanized steel.

**Appliqué:** Zinc alloy.

### STATIC WHITE LED

2-step MacAdam ellipse LED module available in 80+, 90+ and 97+ CRI configurations in color temperatures of 2700K, 3000K, 3500K and 4000K. 3-step MacAdam ellipse LED module available in 90+ configuration in color temperature of 2400K. Average rated lamp life of 50,000 hours. LED and driver assemblies are field-replaceable.

### WARM DIM LED

3-step MacAdam ellipse warm dim LED module available in 90+ CRI configuration. 3000K or 2700K at full brightness, warming to 1800K at full dim. Average rated lamp life of 50,000 hours. LED and driver assemblies are field-replaceable.

### TUNABLE WHITE LED

3-step MacAdam ellipse tunable white LED module available in 90+ CRI configuration. Features tuning range of 2700K to 5000K and 1800K to 4000K. Average rated lamp life of 50,000 hours. Driver assemblies are field-replaceable.

### POWER SUPPLY PERFORMANCE AND DIMMING INFORMATION

Power Supply	PHASE		ECO		0-10V						DALI-2			ATHENA	CASAMBI
	L23	TR2	LH1	LP1	EA2	LA2	AN4	LN2	DG1	DN1	ED1	LD1	DD1	AS1/AD1	CS1/CD1
Minimum °C	0 °C	-20 °C	0 °C	0 °C	-20 °C	-20 °C	-20 °C	-20 °C	-20 °C	-20 °C	-20 °C	-20 °C	-20 °C	0 °C	-20 °C
Maximum °C	40 °C	40 °C	40 °C	40 °C	40 °C	40 °C	40 °C	40 °C	40 °C	40 °C	40 °C	40 °C	40 °C	40 °C	40 °C
Dimming %	1.0%	2.0%	1.0%	0.1%	0.1%	0.1%	1.0%	1.0%	0.1%	0.1%	0.1%	0.1%	0.1%	0.1%	0.1%

Note: For EA2, LA2 and L23 drivers consult chart on page 9 to confirm appropriate dimming curve for compatibility with selected control.

### MAXIMUM ALLOWABLE REMOTE DRIVER WIRING DISTANCES

DRIVER	WIRE AWG				
	12	14	16	18	20
TR2, AN4, LN2	285'	180'	113'	71'	45'
L23, LH1, LP1	60'	40'	25'	15'	-
EA2, LA2, ED1, LD1, DG1, DN1, DD1, AS1, AD1, CS1, CD1	-	-	118'	72'	46'

### SPACING

Recommended fixture spacing is 36" on center with 36" setback from wall plane.

### LISTING

cTUVus listed to UL1598 standard for Dry / Damp and Wet locations.

CCEA, Airtight and Title 24 JA8-2022 Listed.

NEMA 410 Compliant.

### DECLARE

LBC Red List Approved.

### FIXTURE WEIGHT

Trim - 2 lbs max

Low Flux Housing - 4.2 lbs

High Flux / Warm Dim Housing - 7.4 lbs

Remote / Remodel Driver - 1.4 lbs

### LIMITED WARRANTY

Manufacturer's Limited Warranty guarantees product(s) listed to be free from defects in material and workmanship under normal use and service

### CHANGE LOG

- 04/06/2022: REMOVED REMOTE REMODEL ACCESSORY KIT DLA2-RMT-AK.
- 10/17/2022: REMOVED 90WA12H 3200K-1800K WARM DIM AND ADDED 90WA12H 3000K-1800K WARM DIM.
- 11/28/2022: REMODEL FIXTURES UPDATED WITH METAL CLASP CONNECTORS.
- 04/26/2023: ADDED DECLARE LBC RED LIST APPROVED.
- 08/08/2023: UPDATED WITH NEW LED AND OPTIC SYSTEM.
- 01/11/2024: ADDED ATHENA AND CASAMBI CONTROL OFFERING. ADDED 2400K OFFERING.
- 02/07/2024: ADDED TUNABLE WHITE OFFERING.
- 05/13/2024: UPDATED LH1 WATTAGE MINIMUM





# 2 SERIES LED WALLWASH

## DIMMING COMPATIBILITY

### PHILIPS DRIVER COMPATIBILITY

Power supply <b>TR2</b> Manufacturer	Family/Model #
Lutron Electronics	DV-600P
Lutron Electronics	DVELV-303P
Lutron Electronics	NTELV-600
Lutron Electronics	MAELV-600
Lutron Electronics	SELV-300P
Lutron Electronics	DVLV-600P
Lutron Electronics	NFTU-5A
Lutron Electronics	CTCL-153P
Lutron Electronics	GL-600H
Lutron Electronics	S-600P
Lutron Electronics	PHPM
Power supply <b>AN4</b> Manufacturer	Family/Model #
Lutron Electronics	DVTV plus PP-DV
Lutron Electronics	DVSCVT plus PP-DV
Lutron Electronics	DVSTV
Lutron Electronics	DVSCSTV
Lutron Electronics	QSGRJ-XP plus GRX-TVI
Lutron Electronics	QSGRJ-XE plus GRX-TVI
Lutron Electronics	QSGR-XE plus GRX-TVI
Lutron Electronics	NFTV plus PP-DV
Lutron Electronics	NTSTV
Lutron Electronics	RMJ-5T
Lutron Electronics	RMJS-8T
Lutron Electronics	FCJS-010
Leviton	IlumaTch IP7 series
Philips	Sunrise - SR1200ZTUNV

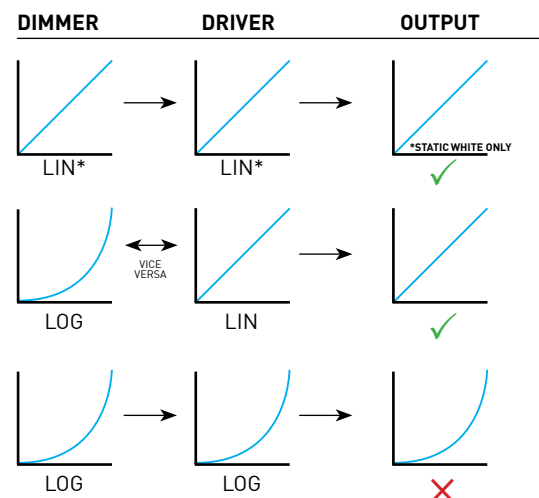
### LUTRON DRIVER COMPATIBILITY

Power supply <b>L23</b> Lutron Product Family	Part No.
Maestro WirelessR 600 W dimmer	MRF2-6ND-120-
Maestro WirelessR 1000 W dimmer	MRF2-10ND-120-
Caséta® Wireless Pro 1000 W dimmer	PD-10NXD-
GRAFIK T™ CL® dimmer	GT-250M-GTJ-250M-
HomeWorks® QS adaptive dimmer	HQRD-6NA-
HomeWorks® QS 600 W dimmer	HQRD-6ND-
HomeWorks® QS 1000 W dimmer	HQRD-10ND-
RadioRA® 2 adaptive dimmer	RRD-6NA-
RadioRA® 2 1000 W dimmer	RRD-10ND
myRoom™ DIN power module	MQSE-4A1-D
HomeWorks® QS DIN power module	LQSE-4A1-D
HomeWorks® QS wallbox power module	HQRJ-WPM-6D-120
HomeWorks® wallbox power module	HWI-WPM-6D-120
GRAFIK Eye® QS control unit	QSGR-, QSGRJ-
GRAFIK Eye® 3000 control unit	GRX-3100-GRX-3500-
RPM-4U module (LCP, HomeWorks® QS, GRAFIK Systems™, Quantum®)	HW-RPM-4U-120 LP-RPM-4U-120
RPM-4A module (LCP, HomeWorks® QS, GRAFIK Systems™, Quantum®)	HW-RPM-4A-120, LP-RPM-4A-120
GP dimming panels	Various
Ariadni CL 250W dimmer	AYCL-253P-
Diva CL 250W dimmer	DVCL-253P-DCSCCL-253P-
Nova T CL 250W dimmer	NTCL-250-
Power supply <b>LH1 / LP1</b> Lutron Product Family	Part No.
PowPak Dimming Modules	RMJ-EC032-DV-B
PowPak Dimming Modules	FCJ/FCJS-ECO
Energi Savr Nodes	QSN-1ECO-S
GRAFIK Eye QS control unit	QSN-2ECO-S
Homeworks QS control unit	QSGRJ- _E (wireless) QSGR- _E
Quantum Hub	QP2-__ 2C
Quantum Hub	QP2-__ 4C
Quantum Hub	QP2-__ 6C
Quantum Hub	QP2-__ 8C
Homeworks QS power module	LQSE-2ECO-D
myRoom Plus power module	

### eldoLED DRIVER COMPATIBILITY

Power supply <b>EA2/LA2</b> Manufacturer	Family/Model #
Busch-Jaeger	2112U-101
Jung	240-10
Leviton Lighting Controls	IP710-DLX
Lightolier Controls	ZP600FAM120
Merten	5729
Pass & Seymour	CD4FB-W
The Watt Stopper	DCLV1
Synergy	ISD BC
Crestron®	GLX-DIMFLV8
Crestron®	GLXP-DIMFLV8
Crestron®	GLPAC-DIMFLV4-*
Crestron®	GLPAC-DIMFLV8-*
Crestron®	GLPP-DIMFLVEX-PM
Crestron®	GLPP-1DIMFLV2EX-PM
Crestron®	GLPP-1DIMFLV3EX-PM
Crestron®	DIN-A08
Crestron®	DIN-4DIMFLV4
Crestron®	CLS-EXP-DIMFLV
Crestron®	CLCI-1DIMFLV2EX
Power supply <b>EA2/LA2</b> Manufacturer	Family/Model #
Lutron Electronics	Nova T® - NTFTV
Lutron Electronics	Diva® - DVTV
Lutron Electronics	Nova® - NFTV
Lutron Electronics	GrafixEye® GRX-TVI w GRX3503
Lutron Electronics	Energy Savr Node™ - QSN-4T16-S
Lutron Electronics	TVM2 Module
Sensor Switch	nIO EZ
ABB	SD/S 2.16.1

## ANALOG DRIVERS AND DIMMERS



LIN = LINEAR  
 LOG = LOGARITHMIC  
 \*LIN-TO-LIN NOT COMPATIBLE FOR WARM-DIM

